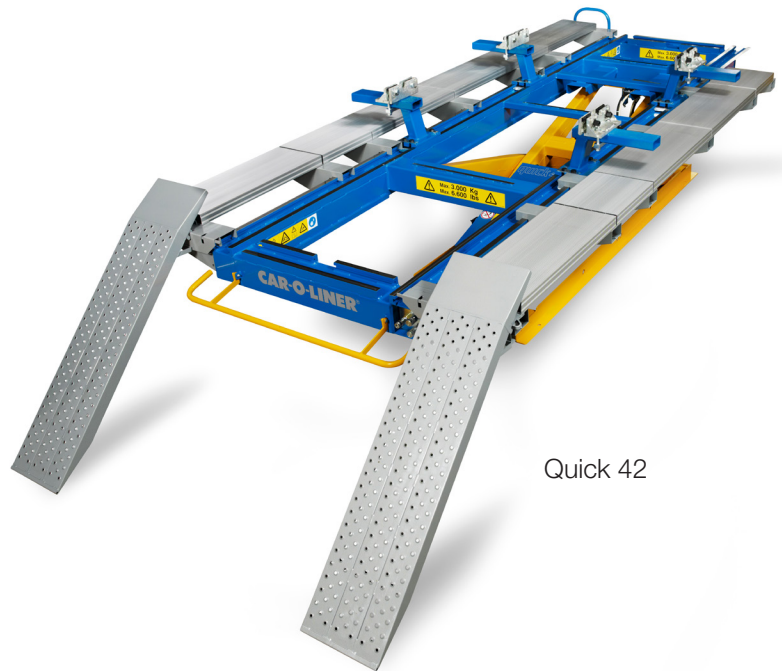


Structural Frame Alignment Systems Selector Guide



Speed



Quick 42



BenchRack 4200, 5000, 5500, 6300



Mark 6



Model	Speed	Mark 6	Quick 42	BenchRack 4200-6300
Description	Multifunctional platform for effective repair of cosmetic body work	A mobile bench system with the convenience of drive over mounting and optional mobility	Optimized platform for light cosmetic and heavy straightening repair with drive on capability and optional mobility	A universal collision repair system for both cosmetic and structural repair for any type of vehicle
Segment	Cars and small SUVs	Cars and SUVs	Cars and SUVs	Cars, light trucks, SUVs
Pulling force per Draw Aligner	5 tons	10 tons	10 tons	10 tons
Platform length	8'3"	14'4" mm	13'10"	13'10" / 16'5" 18' / 20'8"
Platform width	2' 6" (3'1" with arms)	2'11"	3'8"	3'11"
Platform width with ramps attached	–	–	6'3"	6'8" (7'4" wide ramps)
Minimum height	4"	8.3" (10.5" top of cylinder)	1'7"	1'4"
Max. height (Floor to top of platform)	5'3"	4'6"	4'10"	3'11"
Max. length with Draw Aligner	11' 9.5"	16'12"	17' 5.5"	Bench length + 3'8"
Max. width with Draw Aligner	8'2"	6' 7.5"	7'4"	7' 6.5"
Work Area size Draw Aligner on both sides	N/A	10'4"	11'8"	11' 2.5"
Lift Capacity (Maximum vehicle weight)	2500 kg / 5500 lbs	2800 kg / 6160 lbs	3000 kg / 6600 lbs	4200 kg / 9200 lbs
Weight with lift, platform	600 kg / 1371 lbs	680 kg / 1496 lbs	755 kg / 1661 lbs	950 – 1300 kg 2090 – 2860 lbs
360° pulling capability	Yes	Yes	Yes	Yes
Mobile capability	N/A	Yes (optional)	Yes (optional)	N/A
In ground capability	Yes	Yes	Yes	Yes
Max. height in ground			1000 mm	
Lift capacity in ground (Maximum vehicle weight)	2500 kg / 5500 lbs	2800 kg / 6160 lbs	3000 kg / 6600 lbs	4200 kg / 9200 lbs
Modular w/ measuring system	Yes	Yes	Yes	Yes
Modular w/ EVO system	N/A	Yes	Yes	Yes
Automatic tilt function	N/A	N/A	Yes	N/A
Loading angle	N/A	N/A	Bench 3,5° Driving ramps 12°	Bench 2,6° Driving ramps 12°
Milled surface for measuring	N/A	Yes	Yes	Yes
Remote control/Energy supply	N/A	N/A	Yes	N/A
Power	3 phase, 50 Hz, 200/220/400 V – 1 phase, 60 Hz, 110/220 V			